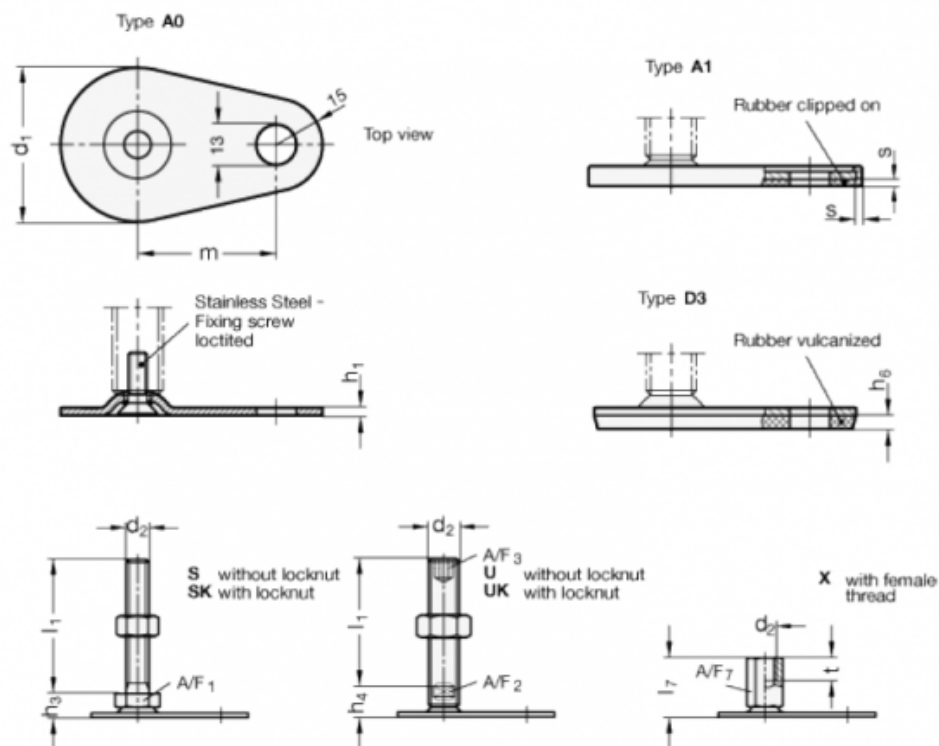


Article number: 204280M1280D3S

Description: E+G levelling foot
GN 42-80-M12-80-D3-S

Note: S Without nut, External hexagon at the bottom

Measures



A/F1 = 17
 d_1 = 80
 d_2 = M12
 h_1 = 3
 h_3 = 12
 h_6 = 5
 l_1 = 80
 m = 70

s =